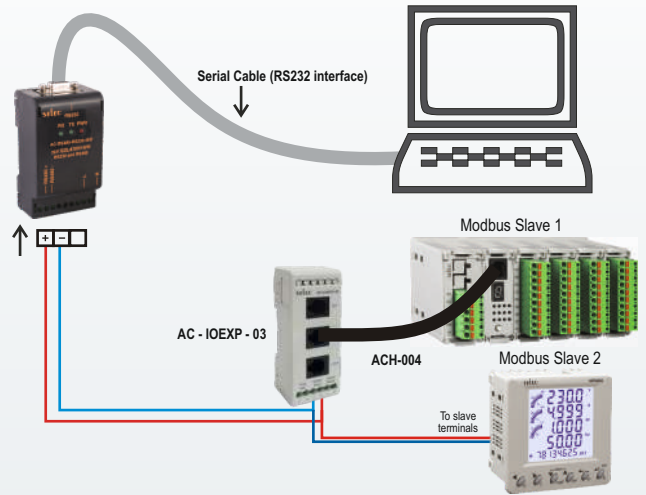


## RS485 To RS232 CONVERTER

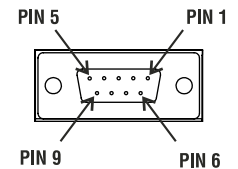


### Specifications

Power Supply	
Supply Voltage	90 - 270VAC@50 / 60 Hz
Power Consumption	2VA
Protection Against Polarity Inversions	NA
RS232 Interface	
Connector	DB9 Female
No. of Ports	1
RS232 Signal	TxD, RxD, GND
RS232 Data Direction Control	Auto
Protocol	MODBUS RTU
RS485 Interface	
Connector	2 Wire (screw terminal)
No. of Ports	1
RS485	RS485+, RS485-
RS485 Data Direction Control	Auto
Protocol	MODBUS RTU
General characteristics	
Baudrate	2400 bps to 115200 bps
Data Bits	7, 8
Stop Bits	1, 2
Parity	None, Odd, Even
Operating Temperature	0 to 50°C
Humidity	95% RH
Storage Temperature	-20 to 60°C
Enclosure	Approx, 106gms
Dimensions	Without Connector Port : 90 x 52.5 x 39 (L x W x H)mm approx. With 100 x 52.5 x 39 (L x W x H)mm approx.
Configuration	
LED Indicators	1) Power ON 2) Rx 3) Tx

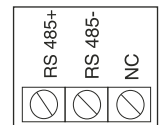
### RS232 Port Pinouts

PIN	RS232
1	-
2	TxD
3	RxD
4	-
5	GND
6	-
7	-
8	-
9	-

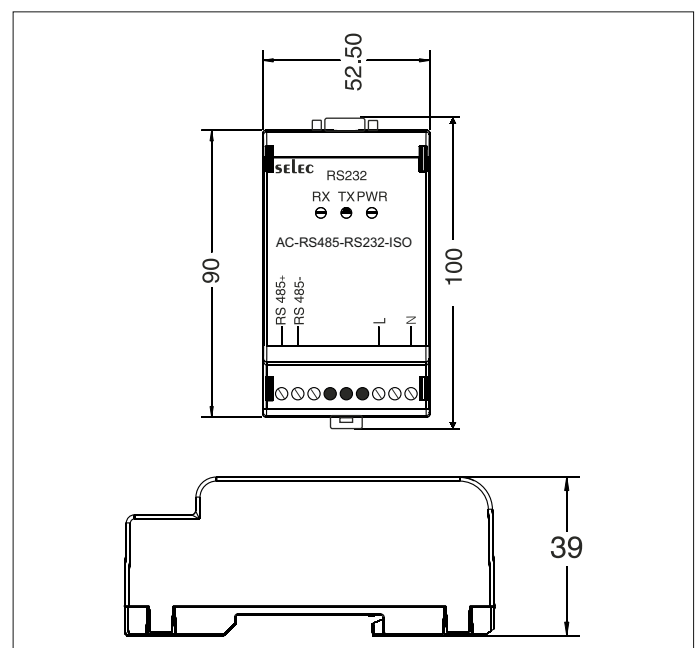


### RS485 Port Pinouts

PIN	RS485 SIGNAL
1	RS485+
2	RS485-



### Dimensions :



Note : All Dimensions are in mm

### Ordering Information

Product Code	Description	Certification
AC - RS485 - RS232 - ISO	RS485 to RS232 Converter (With isolation)	CE RoHS in Process