



Features :

- Plug in module
- Easy to connect & replace in Flexys GT35, Flexys rail, Flexys Panel TX4 & EXP FLEX 2M
- Configured via selpro software
- Spring type pluggable terminals

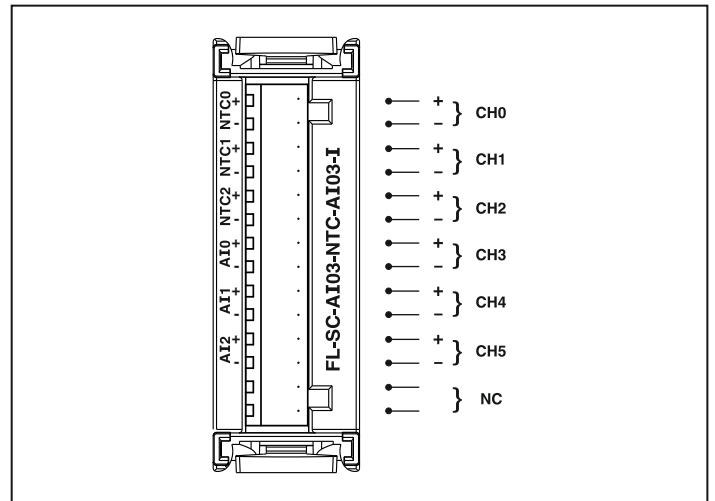
Electrical specifications

	NTC	CURRENT
No. of channels	3 channels	3 channels
Measurement range	-40° C to 95° C	0-20mA
Type of input	NA	Non differential
Digital resolution	12 bits	
Input impedance in signal range	NA	≥100Ω
Accuracy	±0.25% of full scale ±1° C	±0.25% of full scale
Non linearity	±0.25% of full scale ±1° C	±0.25% of full scale
Conversion time	100ms	
Protection against polarity inversion	Yes	
Under range value	<-40° C	<-2 mA
Over range value	>95° C	> +22 mA
Channel isolation	No	

General specifications

Ambient operating temperature	0°C to 55°C
Humidity	95%
Ambient storage temperature	-20°C to 70°C
Weight	40 gms

Terminal diagram



Ordering information

Product code	Description	Certification
FL-SC-AI03-NTC-AI03-I	3 Channel analog input – NTC, 3 Channel analog input – Current card	CE RoHS in process



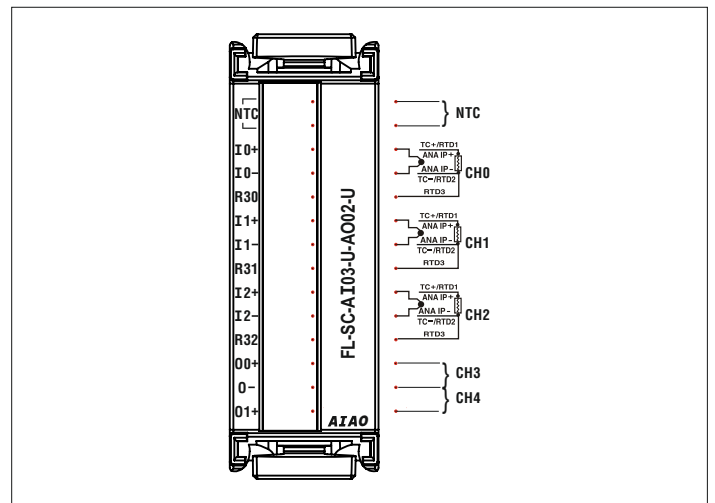
Features :

- Plug in module
- Easy to connect & replace in Flexys GT35, Flexys rail, Flexys Panel TX4 & EXP FLEX 2M
- Configured via selpro software
- Spring type pluggable terminals

Input specifications

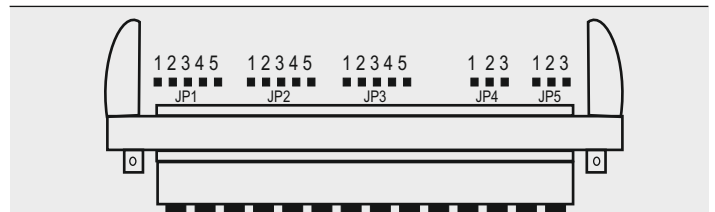
Analog Inputs				
Item	Specifications			
Module	TC	RTD	Voltage	Current
No of channels per card	3 channel			
Sensor	J, K, T, R, S, C, E, B, N, L, U, W, Platinum II, mV (-5 to 65mV)	PT100	0 - 10V	0 - 20mA
Input impedance in signal range	≥470KΩ	≥470KΩ	≥330KΩ	≥100Ω
Resolution	12 Bits			
Conversion time	100ms			
Accuracy	0.25% of F.S. ±1°C	0.1% of F.S. ±1°C	±0.25% of F.S.	
Protection against Polarity Inversion	Yes			
Order Code	FL-SC-AI03-U-AO02-U			

Terminal diagram



Analog Outputs

Item	Specifications	
Module	Voltage Type	Current Type
No. of Channels per card	2 channel	
Range	0 - 10V	0 - 20mA
Load limit	≥ 1KΩ	<500Ω
Digital resolution	0.0 - 100.0% = 0 - 10V	0.0 - 100.0% = 0 - 20mA
Conversion time	100ms	
Accuracy	±0.25% of F.S.	
None Linearity	±0.25% of F.S.	



Analog inputs

Sensor type	Jumper Selection	Jumper No.
TC / RTD	Short Pin 1 & Pin 2	JP1, JP2, JP3 for CH0, CH1, CH2 respectively
Current	Short Pin 2 & Pin 3	
Voltage	Short Pin 4 & Pin 5	

Analog outputs

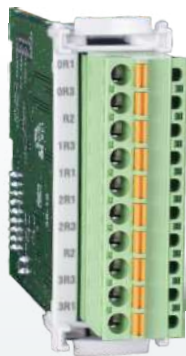
Current	Short Pin 1 & Pin 2	JP4, JP5 for CH3, CH4 respectively
Voltage	Short Pin 2 & Pin 3	

General specification

Ambient operating temperature	0 to 55°C
Humidity	95%
Ambient storage temperature	-20 to 70°C
Weight	41 gms

Ordering information

Product code	Description	Certification
FL-SC-AI03-U-AO02-U	3 Channel analog input – Universal, 2 Channel analog output – Universal card	CE RoHS in process



Features :

- Plug in module
- Easy to connect & replace in Flexys GT35, Flexys rail, Flexys Panel TX4 & EXP FLEX 2M
- Configured via selpro software
- Spring type pluggable terminals

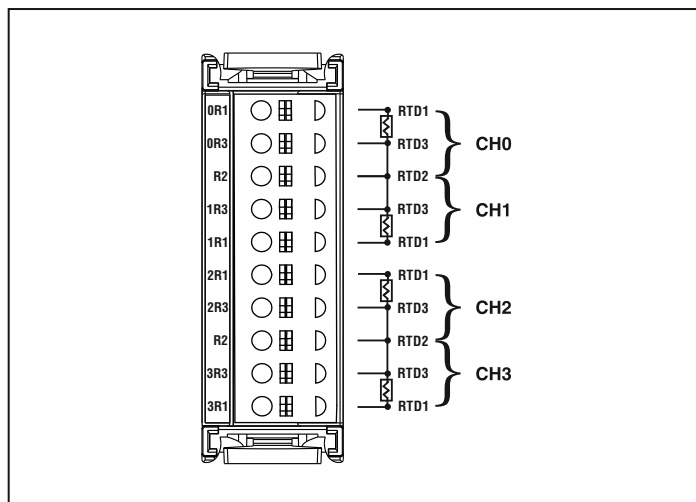
Electrical specifications

No. of channels	4 channels
Sensor type	Pt100
Measurement range	-180°C to 850°C
Type of input	Non - differential
Temperature resolution	0.1 °C
Input impedance in signal range	≥510KΩ
Accuracy	0.1% of full scale ±1°C
Absolute input range	NA
Non linearity	0.1% of full scale ±1°C
Conversion time	100 ms
Protection against polarity	NA
Inversion	
Channel isolation	No

General specifications

Ambient operating temperature	0°C to 55°C
Humidity	95%
Ambient storage temperature	-20°C to 70°C
Weight	40 gms

Terminal diagram



Ordering information

Product code	Description	Certification
FL-SC-AI04-RTD-CE-RoHS	4 Channel - analog inputs card - RTD (PT-100)	CE RoHS



Features :

- Plug in module
- Easy to connect & replace in Flexys GT35, Flexys rail, Flexys Panel TX4 & EXP FLEX 2M
- Configured via selpro software
- Spring type pluggable terminals

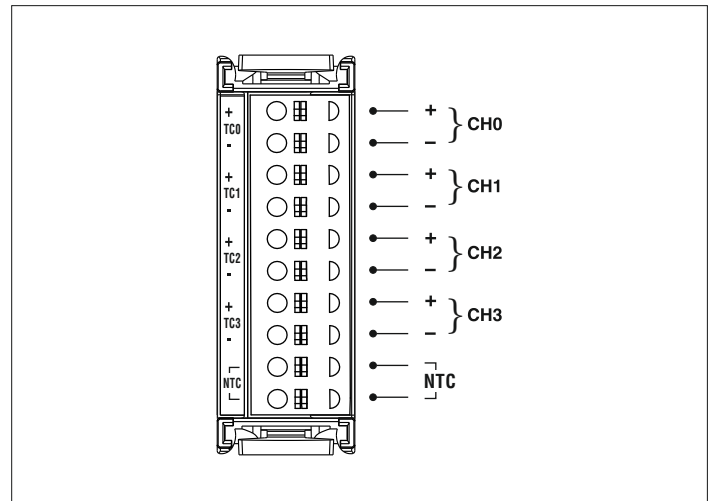
Electrical specifications

No of channels	4 channels
Sensor type	J,K,T,R,S,C,E,B,N,L,U,W, PLATINEL II, MILLIVOLT(5 to 65mV)
Measurement range	As per sensor selection
Type of input	Non-differential
Temperature resolution	0.1 ° C
Input impedance in signal range	≥330 kΩ
Accuracy	0.25% of full scale ±1° C
Non linearity	0.25% of full scale ±1° C
Conversion time	100 ms
Protection against polarity inversion	NA
Channel isolation	No

General specifications

Ambient operating temperature	0°C to 55°C
Humidity	95%
Ambient storage temperature	-20°C to70°C
Weight	40 gms

Terminal diagram



Ordering information

Product code	Description	Certification
FL-SC-AI04-TC-CE-RoHS	4 Channel - analog inputs card - thermocouple	CE RoHS



Features :

- Plug in module
- Easy to connect & replace in Flexys GT35, Flexys rail, Flexys Panel TX4 & EXP FLEX 2M
- Configured via selpro software
- Spring type pluggable terminals

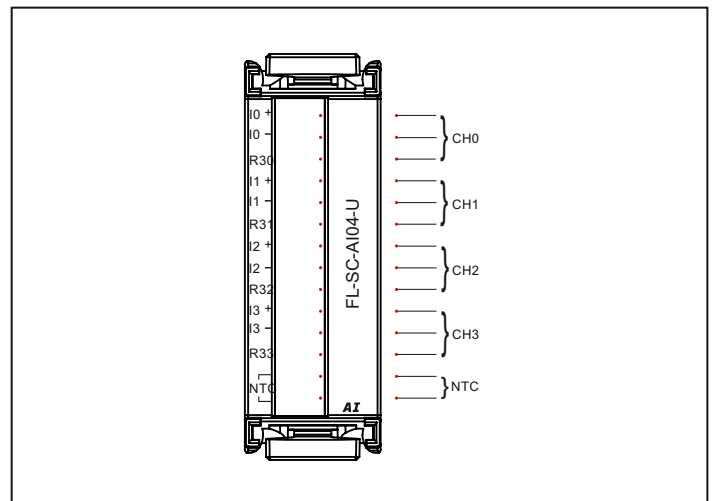
Electrical specifications

No. of channels	4 channels
Conversion time	100ms
Channel isolation	No

Input specifications

Analog inputs				
Item	Specifications			
Module	Voltage	Current	TC	RTD
Sensor type	0 - 10V DC	0 - 20mA	J, K, T, R, S, C, E, B, N, L, U, W, Platinel II, mV (5 to 65mV)	PT100
Measurement range	0 - 10V DC	0 - 20mA	As per sensor selection	-100°C to 850°C
Input impedance	≥330KΩ	≥100Ω	≥470KΩ	≥470KΩ
Accuracy	± 0.25% of full scale	± 0.25% of full scale	0.5% of full scale	0.1% of full scale
Non linearity	± 0.25% of full scale	± 0.25% of full scale	0.25% of full scale ± 1°C	0.1% of full scale ± 1°C
Under range value	<-1V	<-2mA	<-199°C	<-140°C
Over range value	>+11V	>+22mA	Depends on Sensor type	>850°C
Resolution	2.44mV	4.88mA	0.1°C	0.1°C
Digital resolution	12bits	12bits	12bits	12bits
Protection against polarity inversion	Yes	Yes	Yes	Yes

Terminal diagram

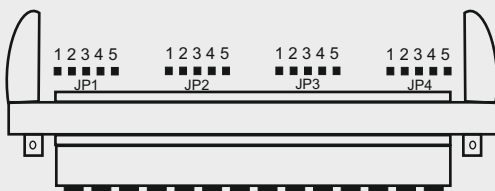


General specifications

Ambient operating temperature	0°C to 55°C
Humidity	95%
Ambient storage temperature	-20°C to 70°C
Weight	39 gms

Ordering information

Product code	Description	Certification
FL-SC-AI04-U	4 Channel analog input card – Universal (jumper selectable)	CE RoHS in process



Analog Inputs

Sensor type	Jumper Selection	Jumper No.
TC / RTD	Short Pin 1 & Pin 2	JP1,JP2,JP3,JP4 for Ch0, CH1, CH2,CH3 respectively
Current	Short Pin 2 & Pin 3	
Voltage	Short Pin 4 & Pin 5	



Features :

- Plug in module
- Easy to connect & replace in Flexys GT35, Flexys rail, Flexys Panel TX4 & EXP FLEX 2M
- Configured via selpro software
- Spring type pluggable terminals

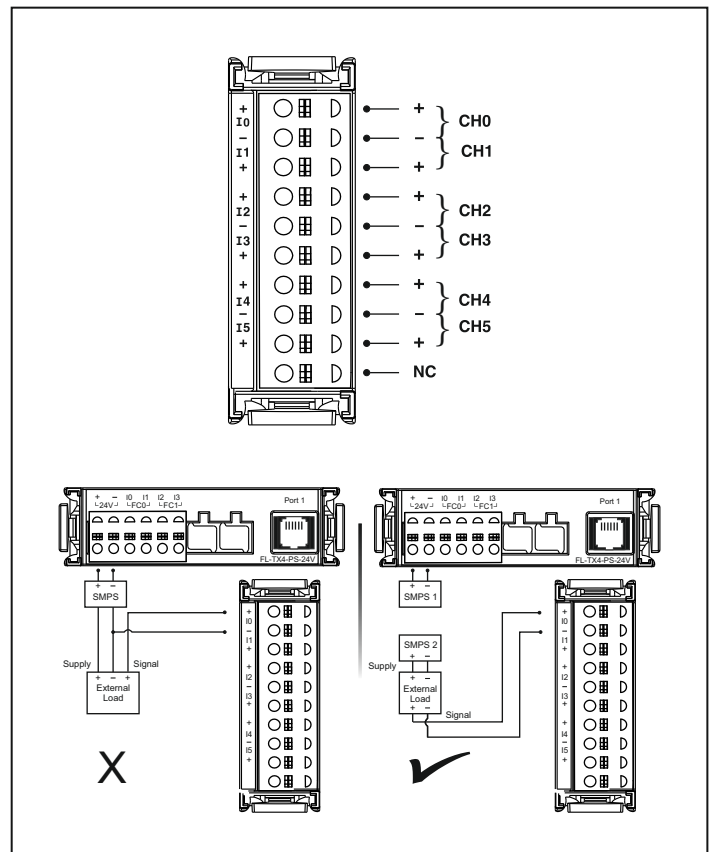
Electrical specifications

No. of channels	6 channels
Measurement range	0-20mA
Type of input	Non-differential
Digital resolution	12 bits
Input impedance in signal range	≥100Ω
Accuracy	±0.25% of full scale
Non linearity	±0.25% of full scale
Conversion time	100ms
Protection against polarity inversion	Yes
Under range value	< -2mA
Over range value	> +22 mA
Channel isolation	No

General specifications

Ambient operating temperature	0°C to 55°C
Humidity	95%
Ambient storage temperature	-20°C to 70°C
Weight	40gms

Terminal diagram



Ordering information

Product code	Description	Certification
FL-SC-AI06-I-CE-RoHS	6 Channel analog input card – Current	CE RoHS



Features :

- Plug in module
- Easy to connect & replace in Flexys GT35, Flexys rail, Flexys Panel TX4 & EXP FLEX 2M
- Configured via selpro software
- Spring type pluggable terminals

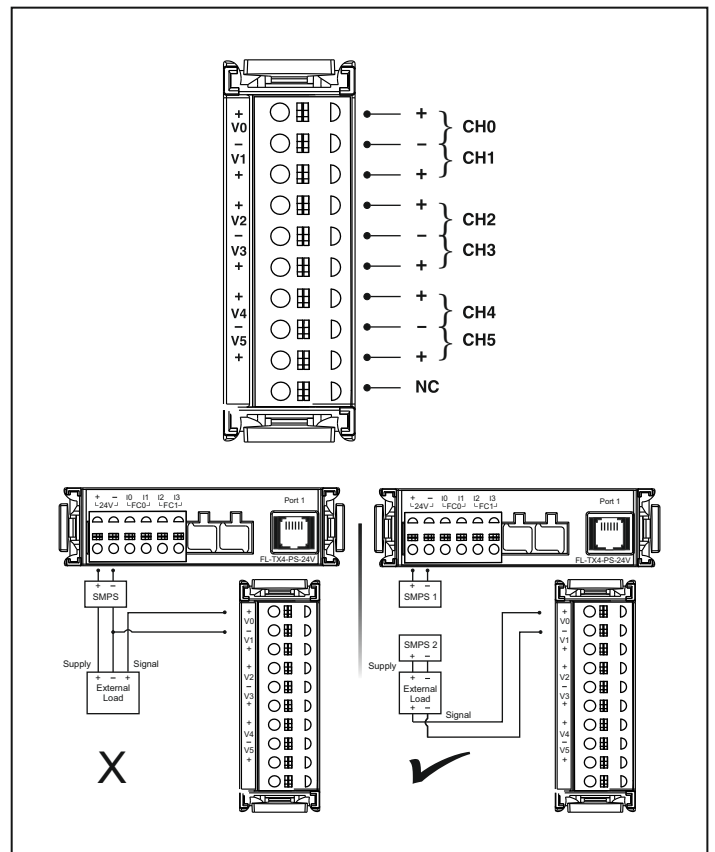
Electrical specifications

No of channels	6 channels
Measurement range	0-10V DC
Type of input	Non-differential
Digital resolution	12 bits
Input impedance in signal range	≥330KΩ
Accuracy	±0.25% of full scale
Non linearity	±0.25% of full scale
Conversion time	100ms
Protection against polarity inversion	Yes
Under range value	< -1 V
Over range value	> +11 V
Channel isolation	No

General specifications

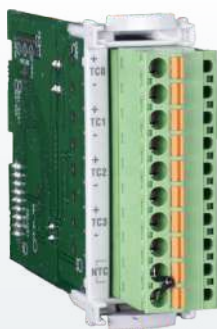
Ambient operating temperature	0°C to 55°C
Humidity	95%
Ambient storage temperature	-20°C to 70°C
Weight	40gms

Terminal diagram



Ordering information

Product code	Description	Certification
FL-SC-AI06-V-CE-RoHS	6 Channel analog input card – Voltage	CE RoHS



Features :

- Plug in module
- Easy to connect & replace in Flexys GT35, Flexys rail, Flexys Panel TX4 & EXP FLEX 2M
- Configured via selpro software
- Spring type pluggable terminals

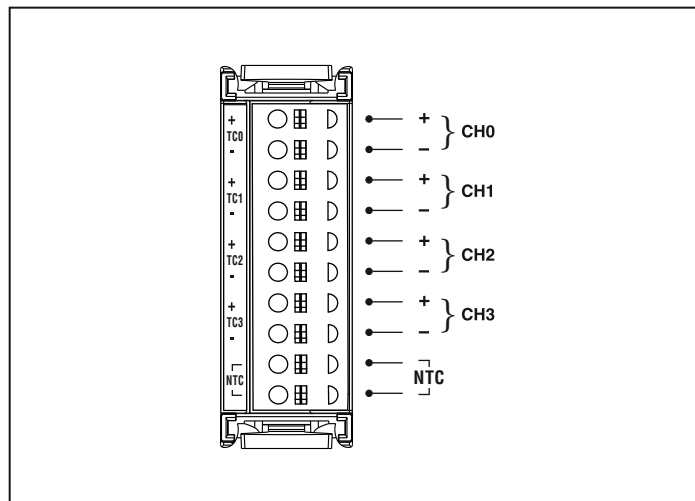
Electrical specifications

No of channels	4 Channels
Sensor type	J,K,T,R,S,C,E,B,N,L,U,W, PLATINEL II, MILLIVOLT(5 to 65mV)
Type of input	Differential
Temperature resolution	0.1°C
Digital resolution for millivolt	12Bits
Input impedance in signal range	≥2KΩ
Accuracy	0.15% of full scale ±1° C
Non linearity	0.15% of full scale ±1° C
Conversion time	300 ms
Protection against polarity inversion	Yes
Channel isolation	Yes

General specifications

Ambient operating temperature	0°C to 55°C
Humidity	95%
Ambient storage temperature	-20°C to 70°C
Weight	40gms

Terminal diagram



Ordering information

Product code	Description	Certification
FL-SC-AIDF04-TC-CE-RoHS	4 Channel differential analog input card – Thermocouple	CE RoHS



Features :

- Plug in module
- Easy to connect & replace in Flexys GT35, Flexys rail, Flexys Panel TX4 & EXP FLEX 2M
- Configured via selpro software
- Spring type pluggable terminals

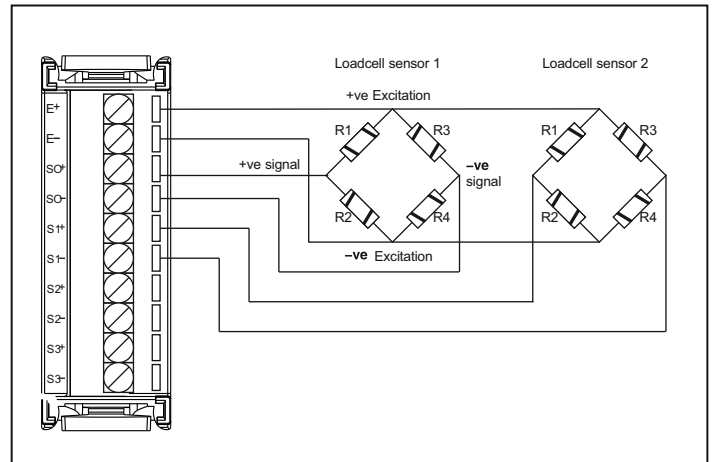
Electrical specifications

No. of channels	4 Channels
Measurement range	±19.5mV, ±39mV, ±1.25V, ±2.5V
Excitation output voltage	5V DC ±10%
Type of input	Differential
Digital resolution	24 Bits
Applicable sensor type	4 Wire
Input offset drift	100nV/° C
Temperature coef. span	±2.5ppm/° C
Linearity error	±0.05% full scale
Gain error	0.1%
Gain drift	3ppm/° C
Conversion time	50ms to 400ms (User configurable)
Permitted load cell resistance	350Ω
Common mode rejection @ 50/60 Hz	≥100dB

General specifications

Ambient operating temperature	0°C to 55°C
Humidity	95%
Ambient storage temperature	-20°C to 70°C
Weight	40gms

Terminal diagram



Ordering information

Product code	Description	Certification
FL-SC-LC04	4 Channel loadcell input card	CE RoHS in process