



96 x 96 mm

Features :

- ▶ Class 0.5 accuracy
- ▶ True RMS voltage measurement

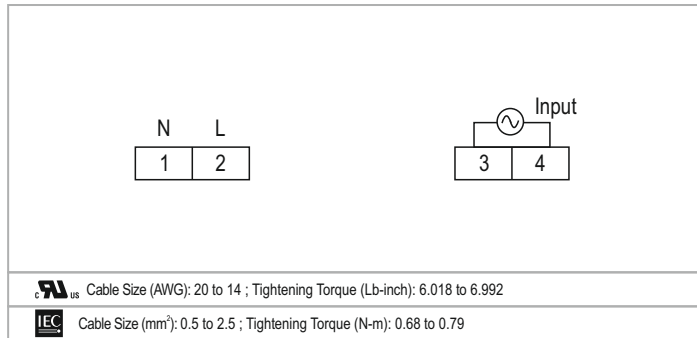
Technical specifications

Display specifications	
Display	7 Segment LED
Digits	3
Digit height	0.56" (14.2mm)
Display range	20 to 600V
Resolution	1V
Input specifications	
Electrical connection	1Ø-2W
Input type	AC
Input voltage range	50-600V
Continuous max. input rating	600V
Accuracy	±0.5% of F.S.
Over range indication	"Or" for input > 600V
Frequency range	50-60Hz
Electrical specification	
Installation category	III
High voltage test	2kV AC, 50Hz
IP Protection	IP51 Front only
Sampling rate	3 Samples/Second
Dielectric withstand voltage	2kV AC Between auxiliary supply & measuring input
Rated impulse withstand voltage	3.5kV (1.2/50µS)
Supply specifications	
Auxiliary supply	AC: 240V AC ±20%, (50/60Hz)
Supply frequency	50/60Hz
Input burden	0.5 VA@5A AC
Power consumption	5VA Max@240V AC
Environment specifications	
Operating temperature	-10°C to +55°C (14°F to 131°F)
Storage temperature	-20°C to +75°C (-4°F to 167°F)
Humidity (Non - condensing)	Up to 95% RH
Pollution degree	2

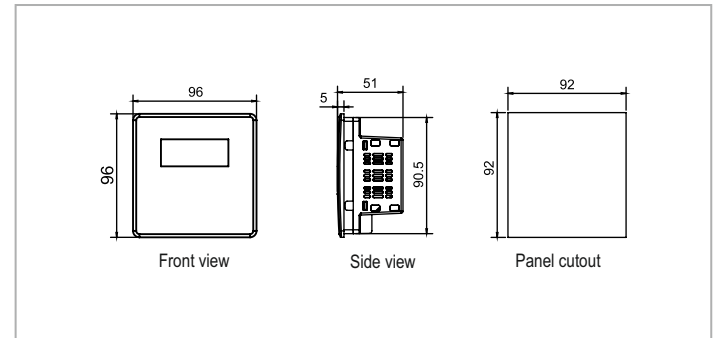
Mechanical specifications

Mounting	Panel mount
Bezel size	96mm x 96mm
Overall depth	36.4mm
Weight	120gm

Terminal connections



Dimensions (All are in mm)



Standards compliance

Applicable EMI / EMC Standards		
Product standard : IEC 61326 - 1		
Category	Standards	Compliance
ESD Immunity	IEC 61000 - 4 - 2	Level IV (Air discharge : 8kV), (Contact discharge : 4kV)
Surge immunity	IEC 61000 - 4 - 5	+ / - 2kV Common mode, (Line to ground)
Radiated susceptibility	IEC 61000 - 4 - 3	Level III, 80 to 1000MHz (10V / m) Level II, 1.4GHz to 2GHz (3V / m) Level I, 2GHz to 2.7GHz (1V / m)
Conducted susceptibility	IEC 61000 - 4 - 6	Level II (3V / m)
Voltage dips and interruptions	IEC 61000 - 4 - 11	Dips : 0% Residual voltage / 1 Cycle (Criteria B), 40% Residual voltage / 10 Cycles 50Hz / 12 Cycles 60Hz (Criteria C), 70% Residual voltage / 25 cycles 50Hz / 30 Cycles 60Hz (Criteria C) Interruptions : 0% Residual voltage / 250 Cycles 50Hz / 300 Cycles 60Hz (Criteria C)
Conducted emission	CISPR - 11	
Radiated emission	CISPR - 11	
Electrical fast transient	IEC 61000 - 4 - 4	Level III (2kV)

Ordering information

Product code	Supply voltage	Certification
MV305	230V AC	- - -