



Features

- ◆ Modular PLC with pluggable / Independent display
- ◆ Flexible IO card selection



Technical specification

Display specifications

Type	7 Segment LED	
Digits	4 Red	1 Red
LED banks	6 Red LED	
No. of keys	3 Keys (2 User configurable)	1 Key
No. of slots	2	

Input specifications

Digital input	
No. of inputs	3
Input type	PNP
Input voltage range	5-30V
Response time	Depends on debounce time & ladder execution time
Debounce time	10ms
Fast input	
No. of inputs	1
Input type	PNP
Input frequency	5 kHz

Communication

Communication port	1 Port - RS485 slave
Communication protocol	MODBUS RTU
Connector type	2 Wire
Transmission type	Half duplex
Transmission speed	9600, 19200, 38400, 57600, 115200 bps
Data bits	7 or 8
Parity	None, odd, even, space, mark
Stop bits	1 or 2

Functional specifications

Functional features	
Programming	Windows based software for ladder programming & HMI config
Timer operational modes	On delay, off delay, pulse, special (up / down) timer
Timer resolution	1ms (Only accurate 1ms timer block)
Counter	Up counter, down counter, up-down counter, special (up-down counter)
Other blocks	Analog input / output, time switch, RTC etc
RTC	No

Functional specifications

Memory	
Data memory	16Kb
Code memory	112Kb
EPROM	8Kb
No. of objects	5000
Min. scan time	200usec
Typical scan time	1msec (Based on ladder programming)

Environmental specifications

Operating temperature	5 to 55°C
Storage temperature	-25 to 70°C
Humidity (Non condensing)	10 to 95%

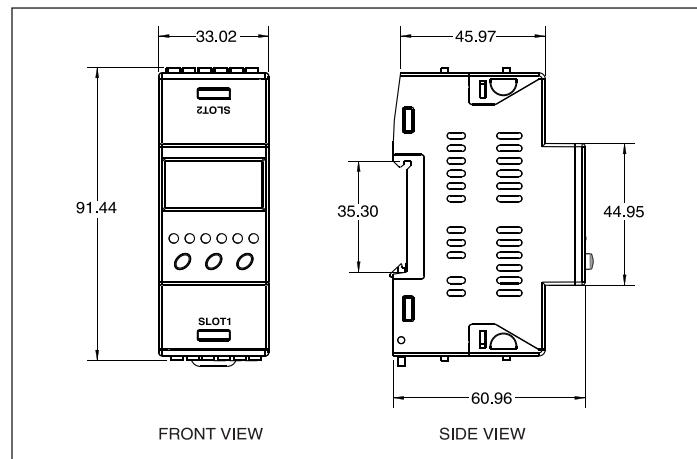
Mechanical specifications

Mounting type	Rail mount
Weight	90 gms without IO cards

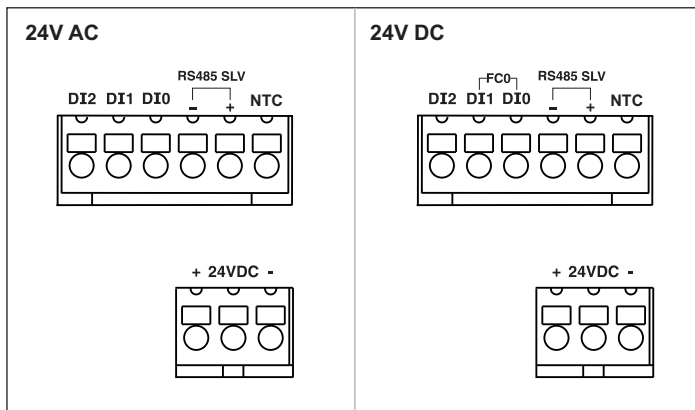
Supply specification

Supply voltage	24V AC	24V DC (18-30VDC)
Power consumption	4Watts	
Sensor source	24V, 50mA	

Dimensions (All are in mm)



Terminal connection



Ordering information

Product code	Description	Certification
MiBRX-2M-1-0-0-24VAC	MiBRX 2M Base module - 2 slots, 3DI-24VAC	
MiBRX-2M-1-0-0-24VDC	MiBRX 2M Base module - 2 Slots, 3DI (incl 1FI)-24VDC	

Supported display modules

Display module	Description	Certification
MiBRX-DSP-2M-7-1-04-A	MiBRX Display 2M - 7 seg (4 digit), 6 LED	
MiBRX-DSP-2M-7-1-06-A	MiBRX Display 2M - Blind, 6 LED	
MiBRX-DSP-AP-2M	MiBRX 2M Adapter Plate for independent display	

Accessories

Accessories for communication	
AC-USB-RS485-02 (Program downloading cable - USB to 2 pin open wire)	
Power Supplies	
RPS60-24-CE-RoHS	
Window - Based software for ladder programming - www.selec.com/software	
Relay modules	
1) RLYMD-1-S4-1CO-24VDC	: 4 Channel 1 change over relay module
2) RLYMD-1-S4-2CO-24VDC	: 4 Channel 2 change over relay module
3) RLYMD-2-S8-1CO-24VDC	: 8 Channel 1 change over relay module
4) RLYMD-2-S8-2CO-24VDC	: 8 Channel 2 change over relay module
5) ERLYMD-2-1-S8-1CO-24VDC	: 8 Channel 1 change over communication based relay module

Supported I/O cards

IO cards	Description	Certification
MiBRX-SC-DI04	MiBRX Slot Card - 4 Digital Inputs	
MiBRX-SC-DI04-ISO	MiBRX Slot Card - 4 Digital Inputs (Isolated)	
MiBRX-SC-DI06	MiBRX Slot Card - 6 Digital Inputs	
MiBRX-SC-DI06-AC	MiBRX Slot Card - 6 Digital inputs (AC)	
MiBRX-SC-DI06-ISO	MiBRX Slot Card - 6 Digital Inputs (Isolated)	
MiBRX-SC-RO03	MiBRX Slot Card - 3 Relay Outputs	
MiBRX-SC-RO04	MiBRX Slot Card - 4 Relay Outputs	
MiBRX-SC-RO04-12V	MiBRX Slot Card - 4 Relay Output (12V)	
MiBRX-SC-RO05	MiBRX Slot Card - 5 Relay Outputs (1.5 A)	
MiBRX-SC-TO04	MiBRX Slot Card - 4 Transistor Outputs	
MiBRX-SC-DI02-RO02	MiBRX Slot Card - 2 Digital Inputs & 2 Relay Outputs	
MiBRX-SC-DI02-RO03	MiBRX Slot Card - 2 Digital Inputs & 3 Relay Outputs	
MiBRX-SC-DI02-TO02	MiBRX Slot Card - 2 Digital Inputs & 2 Transistor Outputs	
MiBRX-SC-DI02-AI01-T	MiBRX Slot Card - 2 Digital Inputs & 1 Analog Input - TC/RTD	
MiBRX-SC-AI02-V	MiBRX Slot Card - 2 Analog Inputs - Voltage	
MiBRX-SC-AI02-V-ISO	MiBRX Slot Card - 2 Analog inputs - Voltage (Isolated)	
MiBRX-SC-AI02-I	MiBRX Slot Card - 2 Analog Inputs - Current	
MiBRX-SC-AI02-I-ISO	MiBRX Slot Card - 2 Analog inputs - Current (Isolated)	
MiBRX-SC-AI02-V-I	MiBRX Slot Card - 2 Analog Inputs - 1 Voltage & 1 Current	
MiBRX-SC-AI02-TC	MiBRX Slot Card - 2 Analog Inputs - Thermocouple	
MiBRX-SC-AI02-TC-ISO	MiBRX Slot Card - 2 Analog inputs - Thermocouple (Isolated)	
MiBRX-SC-AI02-RTD	MiBRX Slot Card - 2 Analog Inputs - RTD	
MiBRX-SC-AI02-RTD-ISO	MiBRX Slot Card - 2 Analog inputs - RTD (Isolated)	
MiBRX-SC-AI02-PT1000	MiBRX Slot Card - 2 Analog Inputs - PT1000	
MiBRX-SC-AI02-PTC	MiBRX Slot Card - 2 Analog Inputs - PTC	
MiBRX-SC-AI02-NTC	MiBRX Slot Card - 2 Analog Inputs - NTC	
MiBRX-SC-AO01-V/I	MiBRX Slot Card - 1 Analog Output	
MiBRX-SC-AO02-V-I-ISO	MiBRX Slot Card - 2 Analog Outputs (Isolated)	
MiBRX-SC-FI02	MiBRX Slot Card - 2 Fast Inputs (10KHz)	
MiBRX-SC-FO01-TO01	MiBRX Slot Card - 1 Fast Output (10KHz) & 1 Transistor Output	
MiBRX-SC-LC02	MiBRX Slot Card - 2 Analog Inputs - Load Cell (24 Bit)	
MiBRX-SC-DL	MiBRX Slot Card - Datalogging (2MB) & RTC	
MiBRX-SC-WIFI	MiBRX Slot Card - WIFI	
MiBRX-SC-PD	MiBRX Portable Downloader	