



Features :

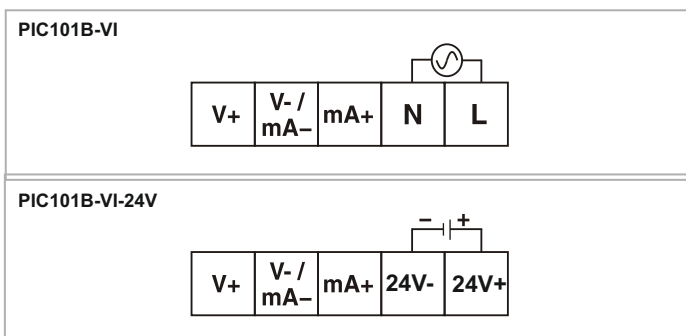
- ▶ 4 Digits, 7 Segment LED White display
- ▶ Scalable analog input
- ▶ Voltage/ Current Input type
- ▶ 85 to 270 VAC/ DC Supply
- ▶ 24 VDC Optional
- ▶ Compact size
- ▶ IP65 for faceplate

Certifications:

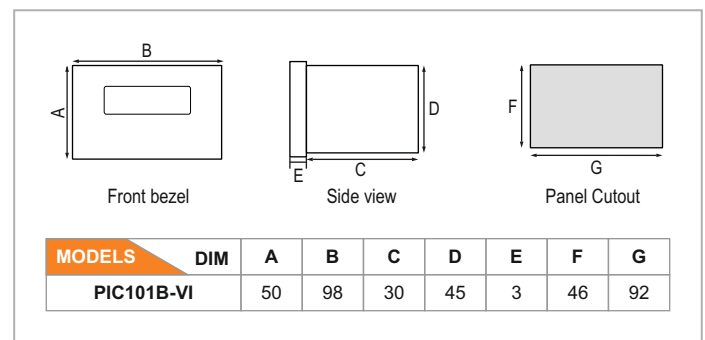
Technical specifications

Display specifications	
Display	4 Digits 7 Segment LED single display
Height of display	0.56"
Input specifications	
Inputs	Voltage: 0 - 10V DC ; Current: 0 - 20mA & 4 - 20mA DC
Resolution	Decimal point position selectable: 1/ 0.1/ 0.01/ 0.001
Input filter (FTC)	0.2 to 9.9 sec
Indication accuracy	±0.5% of F.S. ± 1 digit (F.S. = Full Scale)
Auxiliary supply specifications	
Supply voltage	85 to 270 VAC/ DC (AC: 50/ 60 Hz), 24 VDC For PIC101B-VI-24V
Power consumption	5 VA max @270 VAC
Environment specifications	
Temperature	Operating: 0°C to 50°C (32 to 122°F); Storage: -20°C to 75°C (- 4 to 167°F)
Humidity (non - condensing)	95% RH
Mechanical specifications	
Mounting	Panel
Weight	100 gms

Terminal connections



Dimensions (All are in mm)



Ordering information

Product code	Supply voltage	Certification
PIC101B-VI	85 to 270 VAC/ DC	
PIC101B-VI-24V	24 VDC	