



48 x 48mm

Features :

- 4 Digits, 7 Segment LED Single Display
- Scalable Analog Input
- Voltage / Current Input type

Display Specifications

Display	4 Digits, 7 Segment LED Single Display Height of Display 0.56"
---------	---

Input Specifications

Inputs	Voltage : 0 - 10V DC Current : 0 - 20mA & 4 - 20mA DC
Resolution	Decimal point position selectable 1 / 0.1 / 0.01 / 0.001
Indication Accuracy	±0.5% of F.S. ± 1 digit (F.S. = Full Scale)

Auxiliary Supply Specifications

Supply Voltage	230V AC, ± 20%, 50 / 60 Hz
Power Consumption	3 VA max

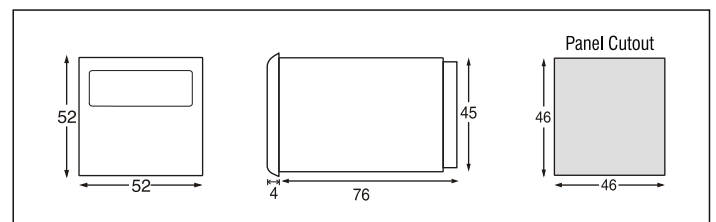
Environmental Specifications

Temperature	Operating : 0 to 50°C (32 to 122°F) Storage : -20 to 75°C (-4 to 167°F)
Humidity (non-condensing)	95% RH

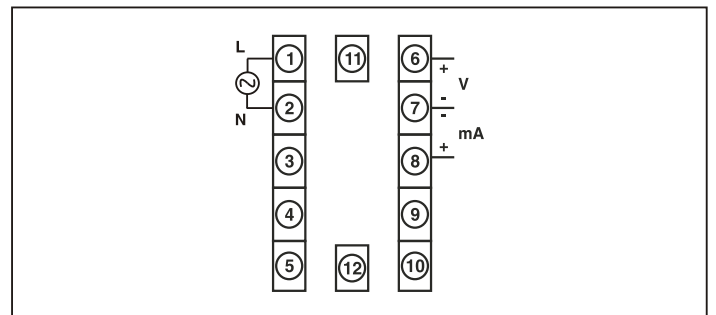
Mechanical Specifications

Mounting	Panel
Weight	200 gms

Dimensions



Terminal Connections



Ordering Information

PRODUCT CODE	SUPPLY VOLTAGE
PIC501A-VI-230	230V AC

Mounting Accessories (Supplied with units)

For 48 X 48 Collar clamp	ACL4802
--------------------------	---------