



48 x 48mm

Features :

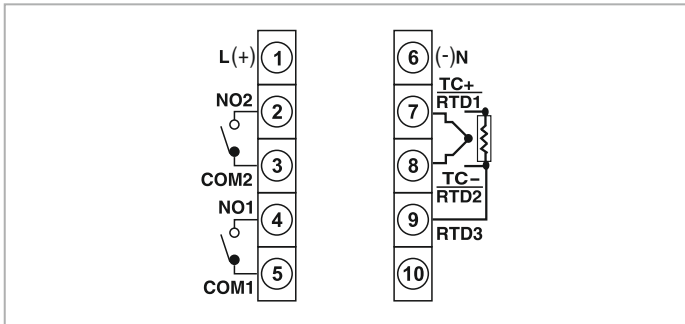
- ▶ 4+4 Digits, 7 Segment LED Dual display
- ▶ TC/ RTD Input
- ▶ ON - OFF/ PID Control auto tune
- ▶ Dual set points
- ▶ Control output: Relay
- ▶ Auxiliary output: Relay

Certifications :

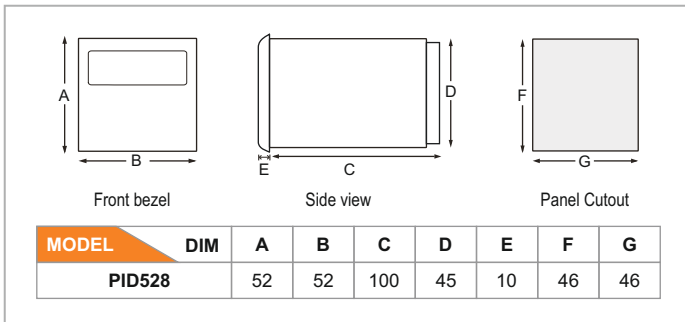
Technical specifications

Display specifications	
Display	4+4 Digits, 7 Segment LED Dual display
Height of display	Upper display: 10mm ; Lower display: 7mm
LED indication	1: Main output ; 2: Alarm output ; T: Tune
Input specifications	
Inputs	Thermocouple (J, K, T, R, S) / RTD (PT100)
Resolution	0.1/ 1° for TC/ RTD inputs (fixed 1° for R & S type TC input)
Indication accuracy	For J, K & T inputs: 0.25% of F.S. ±1° For R & S inputs: 0.5% of F.S. ±2° (20 min of warm up time for TC inputs) For RTD input: 0.1% of F.S. ±1° (F.S. = Full Scale)
Temperature unit	°C/°F selectable
Input filter (FTC)	0.2 to 10.0 sec
Sampling time	250 ms
Output specifications	
Control output	
Relay contact (SPST)	5A @ 230 VAC/ 30 VDC
Auxiliary output	
Relay	5A @ 230 VAC/ 30 VDC, resistive
Functional specifications	
Control action	Auto tune PID/ ON-OFF
Proportional band (P)	1 to 400.0°C
Integral time (I)	0 to 3600 sec
Derivative time (D)	0 to 200 sec
Cycle time	1 to 100 sec
Hysteresis width	0.1 to 99.9°C
Manual reset value	- 99 to 99 for 1° resolution ; - 99.9° to 99.9 for 0.1° resolution
For auxiliary output	
Modes	Deviation, absolute
Hysteresis	0.1 to 99.9°C
Auxiliary supply specifications	
Supply voltage	90 to 270 VAC/ DC (50/ 60Hz)
Power consumption	5 VA max @ 230 VAC
Environment specifications	
Temperature	Operating: 0°C to 50°C (32 to 122°F); Storage: 20°C to 75°C (- 4 to 167°F)
Humidity (non - condensing)	95% RH
Mechanical specifications	
Mounting	Panel
Weight	200 gms

Terminal connections



Dimensions (All are in mm)



Compliance

Applicable EMI / EMC Standards		
Product Standard : IEC 61326-1		
Category		Standards Compliance
ESD Immunity	IEC 61000-4-2	Level III
Surge Immunity	IEC 61000-4-5	+/- 2 kV common mode, +/- 1 kV differential mode
Radiated Susceptibility	IEC 61000-4-3	Level III, 80 to 1000MHz Level II, 1.4GHz to 2GHz Level I, 2GHz to 2.7GHz
Conducted Susceptibility	IEC 61000-4-6	Level II
Voltage Dips and Interruptions	IEC 61000-4-11	Dips : 0% residual voltage / 1 cycle (Criteria B), 40% residual voltage / 10 cycles 50Hz / 12 cycles 60Hz (Criteria C) 70% residual voltage / 25 cycles 50Hz / 30 cycles 60Hz (Criteria C) Interruptions : 0% residual voltage / 250 cycles 50Hz / 300 cycles 60Hz (Criteria C)
Conducted Emission	CISPR-11	
Radiated Emission	CISPR-11	
Electrical Fast Transient	IEC 61000-4-4	Level III

Ordering information

Product code	Output 1	Output 2	Supply voltage	Certification
PID528-1	RELAY (5A)	RELAY (5A)	90 to 270 VAC/ DC	---
PID528-1 V2-CE	RELAY (5A)	RELAY (5A)	90 to 270 VAC/ DC	CE