



Features :

- ▶ V/f Control
- ▶ Automatic voltage regulation
- ▶ 150% Overload capacity for 1 min
- ▶ PI Control
- ▶ Protection against Over voltage, Under voltage, Over temperature, Over load, Under current, Over current and Short circuit
- ▶ RS485 MODBUS Communication

Technical specifications

Single Phase		
Model VFD-L-1	005	010
Applicable motor output (kW)	0.4	0.75
Applicable motor output (HP)	0.5	1
Input rating		
Rated voltage / Frequency	Single phase 230V AC 50/60 Hz	
Maximum input current	5 A	10 A
Voltage tolerance	±15% (195 ~ 265V)	
Frequency tolerance	±5% (47 ~ 63 Hz)	
Output rating		
Rated output capacity (kVA)	0.8	1.5
Rated output current	2.5 A	5 A
Maximum output voltage (V)	Proportional to input voltage	
Output frequency	0.1 ~ 400 Hz	
Carrier frequency	2 ~ 10 kHz	
Control characteristics		
Control system	Space vector PWM based scalar control	
Frequency setting resolution (Hz)	0.1 Hz to Upper limiting frequency	
Overload endurance	150 % for 1 min, 180 % for 10 sec., 200 % for 1 sec.	
Skip frequency	2 Bands available	
DC Injection braking	Up to 150% of rated current for 0 to 50.0 sec. during starting and stopping cycles	
Accel. / Decel. time	0.1 ~ 999.9 sec. Four acceleration / deceleration time settings available	
Braking torque	Maximum 150%	
V/f Mode	4 Pre-set V/f mode and 1 User defined V/f program	
Operating characteristics		
Frequency setting	Keypad	Set by Up & Down keys Set by panel potentiometer
	External signal	Potentiometer – 10 kΩ, 0 to 10V DC Analog input – 0 to 20 mA / 4 to 20 mA / 0 to 10V DC Communication – Modbus RS485 Multifunction terminal – 1 to 4 (8 Steps, JOG, UP & DOWN)
Operation setting	Keypad	By RUN & STOP Keys
	External signal	Multifunction terminal 1 to 4 (RUN, STOP, Fwd / Rev, Jog) Communication – Modbus RS485

Control Inputs / Outputs		
Digital input	Programmable digital inputs	4
	Logic	PNP or NPN
	Voltage level	0 - 24V DC
	Input resistance	6 kΩ
Analog input	Analog input	2
	Modes	Voltage or Current
	Voltage level	0 to 10 V
	Current level	0/4 to 20 mA
Relay output	Relay output	1
	Max. terminal load (AC)	250 V, 5 A

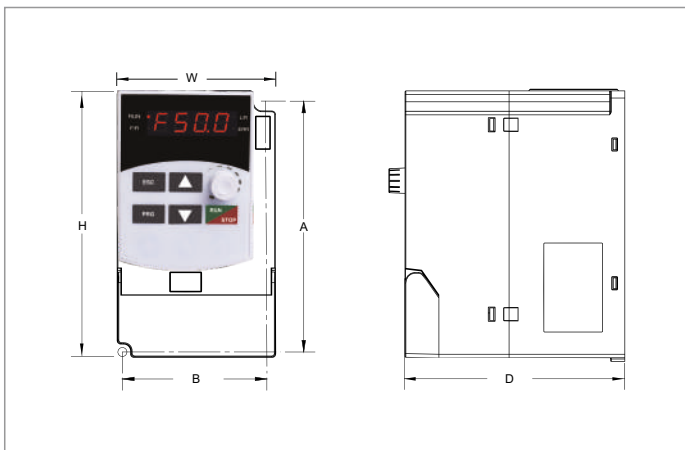
Operation function
 AVR (Automatic voltage regulation), Fault records, Adjustable carrier frequency, DC Braking, Frequency limit, Parameter Lock / Reset, Counter, PI Control, PLC Program, Modbus communication

Protection function
 Over voltage, Under voltage, Over current, Over temperature, Over load, Under current, and Short circuit

Display / Keypad
 Inbuilt HMI with 5 keys (PRG, ESC, UP, DOWN, START / STOP), Potentiometer, 4 Digit, 7 Segment LED display and 4 status, Set Frequency, Output frequency, Custom units, Parameter values for setup, Review and faults

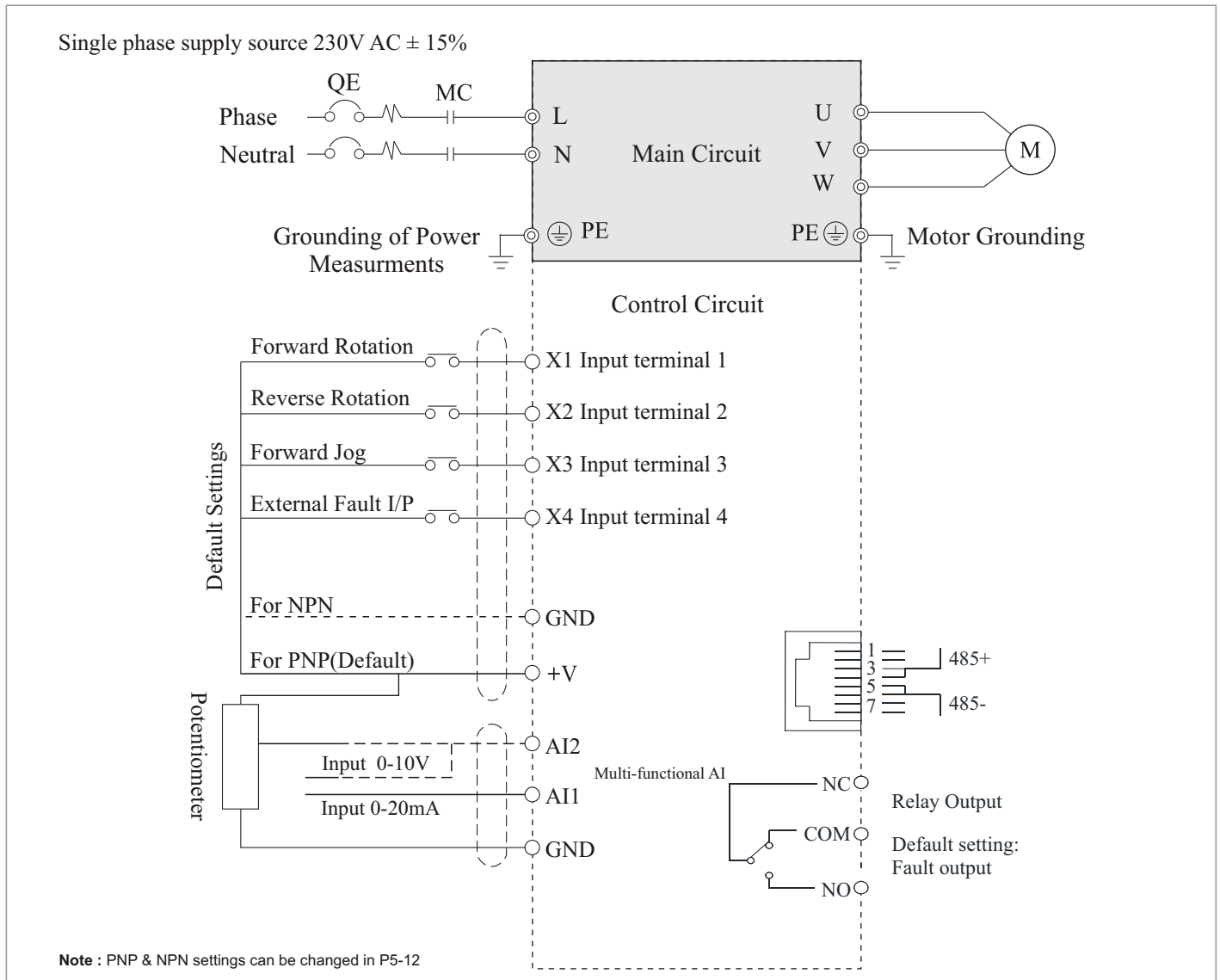
Environmental conditions	
Protection level	IP20
Pollution degree	2
Installation location	Indoor, <1000 m altitude above sea level
Ambient working temperature	-10°C ~ +55°C
Storage / Transportation temperature	-20°C ~ +60°C
Ambient humidity	<90 % No condensation
Vibration	<5.9 m/s ² (0.6 g)

Dimensions

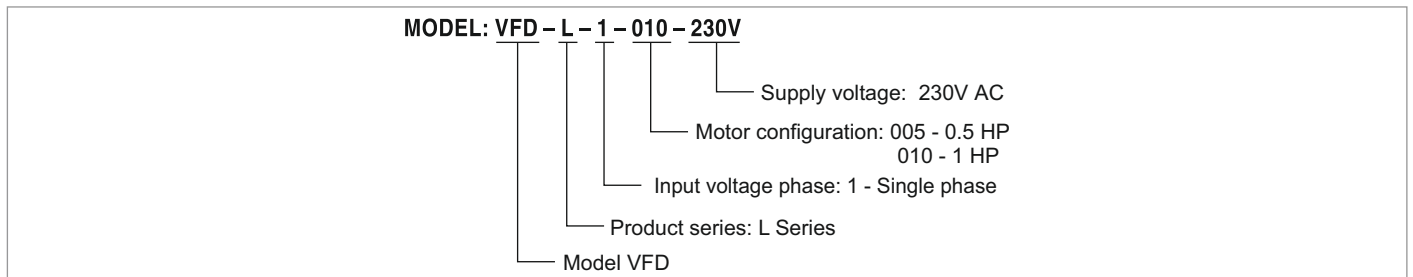


Product code	Mounting dimension		Dimension			Pore diameter (mm)	Weight (kg)
	A (mm)	B (mm)	H (mm)	W (mm)	D (mm)		
VFD-L-1-005-230V	141	80.5	150	89	123	φ4.6	0.85
VFD-L-1-010-230V							

Connection diagram



Model description



Ordering information

Product code	Description	Output current
VFD-L-1-005-230V	1 Phase 230V, 0.5 HP / 0.4 kW	2.5 A
VFD-L-1-010-230V	1 Phase 230V, 1 HP / 0.7 kW	5 A

Applications :

Suitable for applications like pumps, fans, conveyors, food and drink packaging machinery, and most general industries, etc.